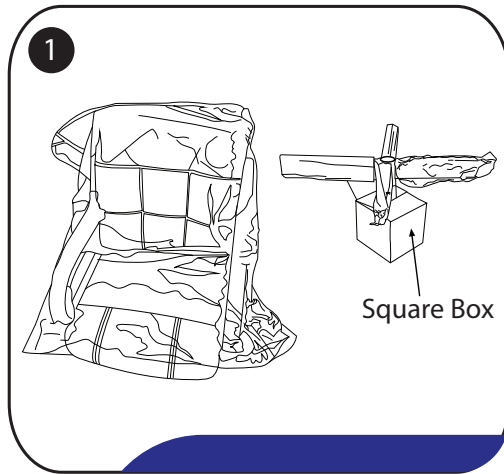


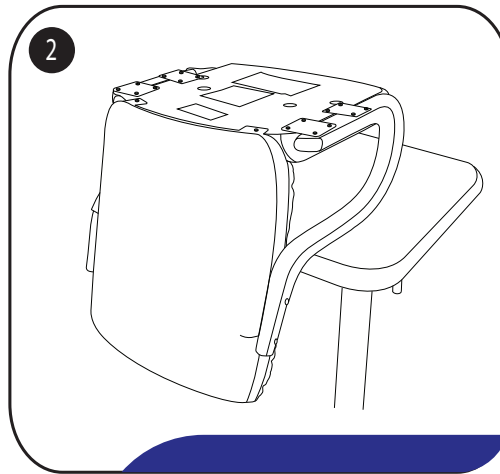
**Important**

Dealer or installer: Leave all documents to the consumer. Consumer: Keep this document with your proof of purchase for reference in order to prevent any damage to this product. We encourage hand assembly with philips screwdriver. If using a power tool, please set torque to lowest setting and increase torque as needed.

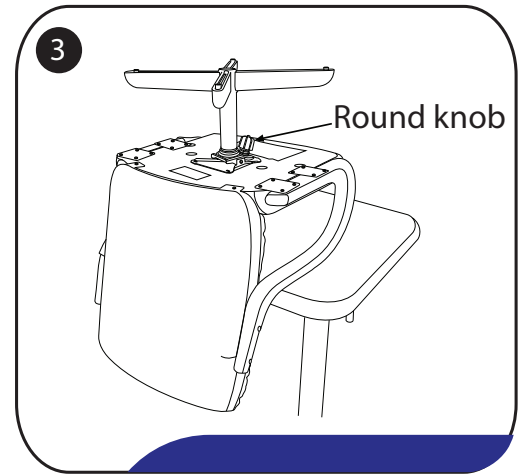
## Assembly Instructions



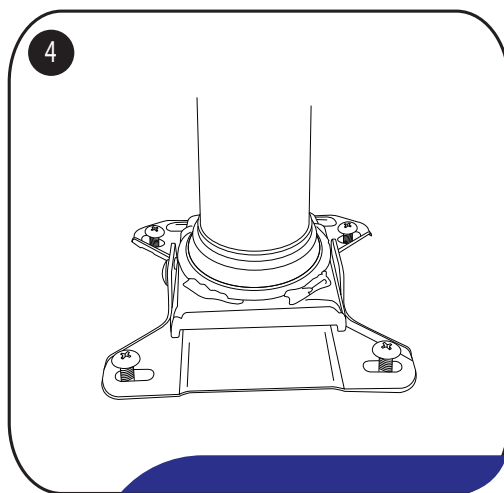
Step 1: Take product out of box and remove plastic bag and all packing materials. Casters and assembly hardware are found inside square box.



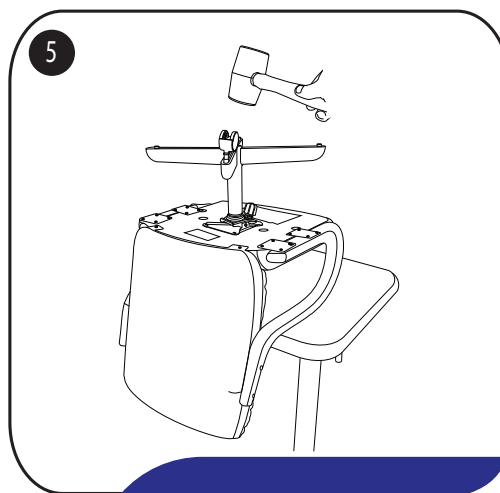
Step 2: Place top section of chair on flat horizontal protected surface and ensure it will not fall off surface by having someone hold it in place.



Step 3: Take chair base and align it over 4 holes. It is important to ensure the round knob on the base is aimed towards the front of the seat. It is also recommended for a helper to hold chair in place while this task is done to ensure chair does not fall over.



Step 4: For easier assembly do not fully tighten bolts until all bolts have been inserted and slightly tightened. (Please note image is from back side of chair and round knob must be facing towards the front of the seat.)



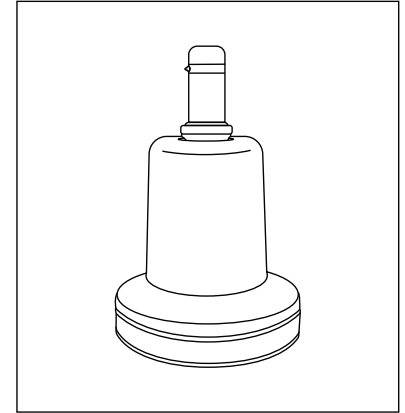
Step 5: Place the silver stem with friction ring inside the openings for the casters. You can either push them in by hand with force or use a rubber mallet and knock them into place.



Step 6: Flip your chair over and set your tilt to your desired comfort level. To loosen tilt for easier and softer reclining rotate knob clockwise. If you wish to lock or tighten the tilt for less reclining you must rotate the knob counter clockwise.

# WARNING

Do not stand on this product. Not suitable for standing on. You will need to check bolts periodically and re-tighten if loose. Never over lean on backrest of chair or force chair to recline. Chairs come standard with nylon casters. For wood or sensitive flooring softer polyurethane casters may be purchased by visiting the parts category of [www.casterchaircompany.com](http://www.casterchaircompany.com). (The casters supplied with this chair are compatible with most residential flooring surfaces. Please consult your flooring expert if you are in doubt of compatibility with your floor surface.) Keep floors and casters clean at all times from rock, grime, sand and any materials that may adhere to casters and cause damage to your floors. Chairs may be fast on wood or tile floor. Please ensure chair is held in place before sitting down. Area carpets may be used to slow product down on frictionless flooring. Optional bell shape accessory glides can be purchased to convert chair into stationary chair by visiting the parts category of [www.casterchaircompany.com](http://www.casterchaircompany.com)  
Image shown to the right.



Bell Shape Stationary Glide

## Product Care Instructions

### Care of powder coat:

Care for the painted metal surfaces of your chair by wiping with a damp soft cloth. Harsh detergents, chemicals, abrasives and solvents will damage the finish.

### Care of chrome:

Polish chrome surfaces with a non abrasive chrome polish and/or use of paste wax to protect and beautify the chrome surfaces of your chair.

### Care of fabrics:

Care for the upholstered surfaces of your chair by vacuuming regularly to prevent rubbing in dirt and grime.

Use of fabric protectors and scotch guard please read instructions on bottle carefully. If using scotch guard, spray on concealed area of fabric to ensure color does not change before applying spray to entire chair.

### Care of vinyl, leatherette and bonded leathers:

Clean with a soft cloth and mild solution of soap and water. Rinse with a soft cloth and clear water followed by drying with a soft cloth. Do not use chemicals like windex, soft scrub, fantastic or any other chemicals in spray bottles.

Your new caster chair is ready to use.

We hope that you enjoy your new caster dining chair for years to come! Thank you for your purchase.

For assistance please contact us at 1855-789-0501 or via email at [support@casterchaircompany.com](mailto:support@casterchaircompany.com)  
[www.casterchaircompany.com](http://www.casterchaircompany.com)



**CASTER**  
**CHAIR COMPANY**  
HAVE A SEAT